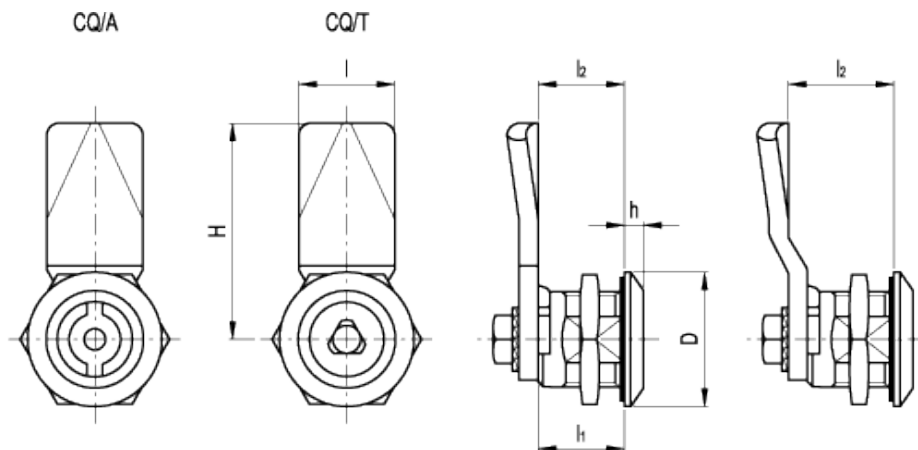


# CQ.SST

Latches with recessed key



INOX  
Stainless Steel



## technical informations

### Stator and rotor

AISI 304 stainless steel.

### Shaped closing lever

AISI 304 stainless steel, 4 mm thickness.

### Nut

AISI 304 stainless steel (M22x1.5).

### Sealing

Silicone directly applied onto the back side of the stator head.

### Screw

AISI 304 stainless steel (M6x10).

## Key

Polyamide based (PA) technopolymer.

## Rotation

90°.

## IP protection

IP 65 protection class, according to [IEC 529 table](#).

## Standard executions available

- CQ/A-SST: mark for two-wings key.
- CQ/T-SST: mark for triangular key.

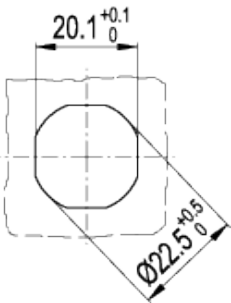
## Special executions on request (For sufficient quantities)

Closing levers in other dimensions.

## Features and applications

AISI 304 stainless steel, thanks to its high resistance to corrosion, allows the application of these latches on machines and equipment in those sectors where laws or particular hygienic, climatic and environmental factors make it mandatory to use corrosion resistant materials.

## Drilling template



Standard Elements		Main dimensions						Weight
Code	Description	H	l <sub>2</sub>	D	h	l	l <sub>1</sub>	g
421331	CQ/A-45-18-SST	45	18	28	4	20	18	88
421337	CQ/A-45-24-SST	45	24	28	4	20	18	95
421371	CQ/T-45-18-SST	45	18	28	4	20	18	91
421377	CQ/T-45-24-SST	45	24	28	4	20	18	98



ELESA and GANTER models all rights reserved in accordance with the law. Always mention the source when reproducing our drawings.

STANDARD MACHINE ELEMENTS WORLDWIDE